

DI-60N

Panel Mount Indicator

Essae[®]
...for Excellence



**Ideal Weighing Solution to boost your
Manufacturing & Process Productivity**

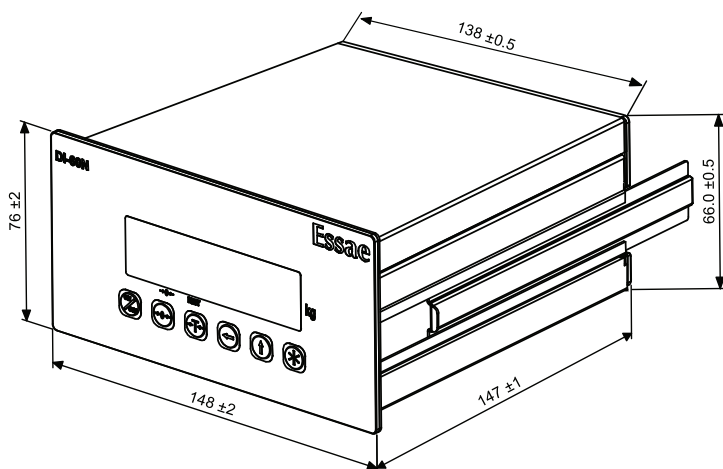
Technical Specification

Model	DI-60N
Display	Green LED
Panel Indicator MOC	SS-304
DIN Panel Cutout (W x H)	138±0.5 mm x 66±0.5 mm
IP Protection	IP-65 (Front panel)
Standard Optional Interface	RS-232 4-20mA Analog Output RS-485 Modbus RTU Modbus TCP
Power Supply	230 V AC / 24 V DC (Optional)

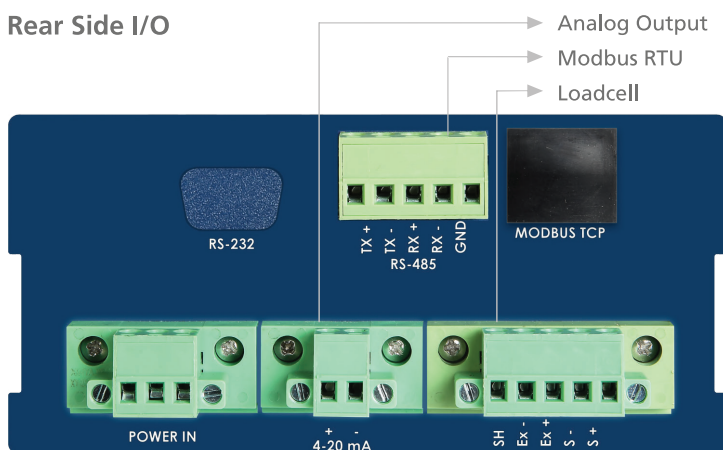
Capacity (kg)	Accuracy (g)
300	100
600	200
1500	500
3000	1000
6000	2000
10000	5000

* Capacity & Accuracy are common for both 3&4 loadcell

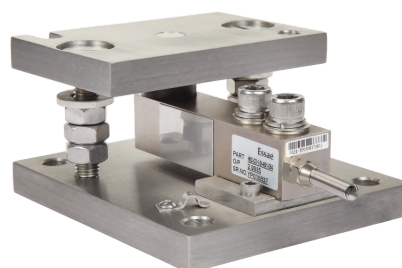
Panel Mount Indicator - Dimension (mm)



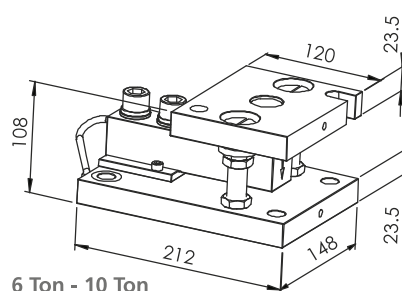
Rear Side I/O



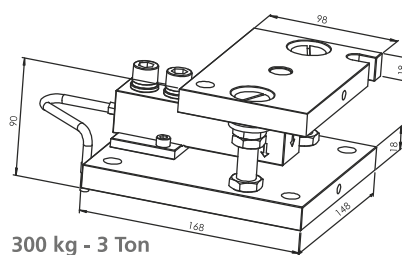
Tank Weighing Kit



Tank Weighing Kit Dimension (mm)



6 Ton - 10 Ton



300 kg - 3 Ton

Accessories

- Anti-vibration Pads
- Additional Welding Plates

Form No. : 27584-CAT-DI-60N-099 R00

Authorized Partner... Limra Instruments

G-8, Ground Floor Top Class Enclave CHS. Ltd.,
Opp Zudio Showroom, Bhoidapada, Sativali Road,
Vasai East, Dist. Palghar-401208, Maharashtra.

info@limrainstruments.com,
sales@limrainstruments.com,

www.limrainstruments.com

Customer Care - 7666114785



Scan For Website

Your Limra Representative

